

VISION® Datasheet

124735 EV5-104A IRS 4-way Apartment Amplifier

- Unique Apartment distribution amplifier is fed directly from an IRS dSCR / Legacy system
- 2-inputs, SAT2, SAT1 inputs from Multiswitches.
- SAT 2 Power Pass 1000mA max and 22kHz DiSEqC management.
- SAT 1 output frequencies FM, DAB, UHF and Satellite; connect to SAT1 on Outlet plate
- SAT 2 Band Stop filtering reroutes FM, DAB UHF to Terrestrial outputs, removes Terrestrial off SAT 2 output
- Switchable gain -5, 0, +5dB Terr Gain to optimise Terrestrial output levels.
- Mains powered 3A UK mains plug BS1363 fitted
- Fully Screened housing to eliminate EMI interference.

The Latest addition to the EV5 range of market leading IRS equipment. This new innovation now enables central distribution and eliminates the need to have a return link from the lounge to the distribution point.

The EV5-104A is an IRS apartment 4-way amplifier that takes two feeds from the IRS system and has pass through on SAT 1 and band stop filtering on Sat 2 to reroute the terrestrial services to the outputs. SAT 2 through line does not carry terrestrial frequencies.

The Terrestrial signals can be optimised by the 3 position gain control selector.

Switching control signals such as 22kHz and DiSEqC commands are managed to ensure they are unaffected and pass directly through to the dSCR or Legacy switches.

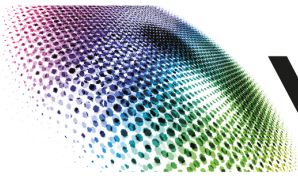


| Model | EV5-104A 124735 | Note |
|--|------------------------|-----------------------|
| No. of Inputs | SAT 2 / SAT 1 | |
| No. of outputs | SAT 1, SAT2 & 4 Terr | |
| Frequency Range SAT 1 | 88-2150MHz | Filtered |
| Frequency Range SAT 2 | 950-2150MHz | 88-790 MHz removed |
| Frequency Range Terr | 88MHz – 790MHz | FM / DAB / UHF 4G/LTE |
| Through loss | <2dB | |
| Selectable Terrestrial outputs | -5dB/ 0dB / +5dB | |
| Maximum input level Terr (IMD ³ -35) | 85dBμV (79dBμV*) | EN50083-3 |
| Maximum output level Terr (IMD ³ -35) | 90dBμV (84dBμV*) | EN50083-3 |
| Isolation Terr / SAT | >35dB | |
| Isolation (output to output) | >27dB | |
| Noise Figure | <3.5dB | |
| Control Signals Pass through | 14V / 18V/22KHz DiSEqC | |
| Power | 230V AC 50Hz 3W | |
| DC Pass through SAT 1, 2 | 1.0A | |
| Dimensions including connectors | 106 x 195 x 47mm | |
| Weight kg | 0.56kg | |

©2020 Vision Products (Europe) Ltd. Vision and the vision eye device are registered trademarks of Vision Products (Europe) Ltd. In the interests of continued product improvement and development we reserve the right to change specifications, design and dimensions without prior notice. Details correct at date of publication E&OE

Vision Products (Europe) Ltd, Vision House, 24 Faraday Court, Wellingborough, Northamptonshire NN8 6XY
Tel: 01933 677 220 Email: technical@vision-products.co.uk Company Reg No: 5044512

www.vision-products.co.uk

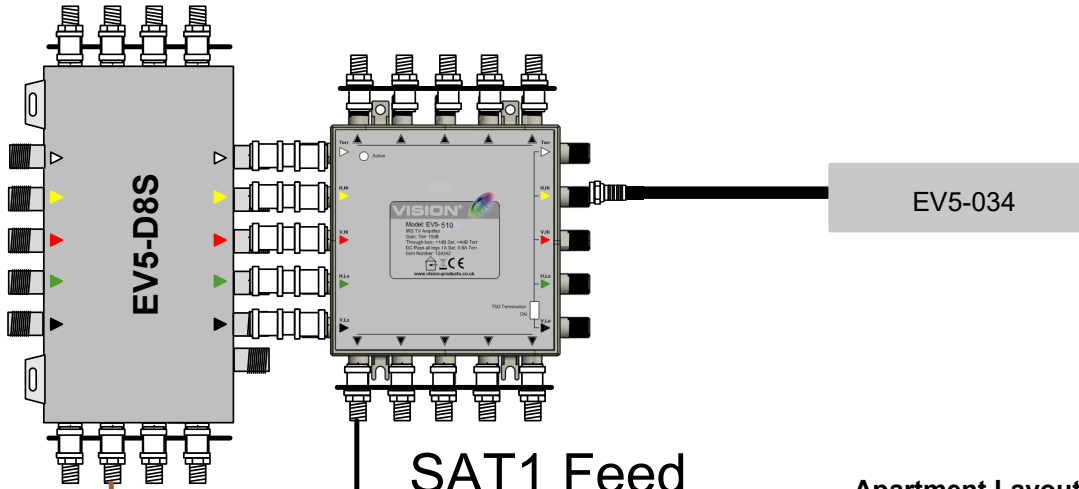


VISION® Datasheet

EV5-D8S

EV5-510

Hybrid dSCR Legacy IRS system



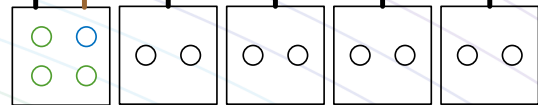
SAT1 Feed

Apartment Layout

EV5-104A



SAT 2
Feed



88-2150 MHz SAT1 output

88-790MHz Terrestrial outputs

950-2150 MHz SAT2 output

©2020 Vision Products (Europe) Ltd. Vision and the vision eye device are registered trademarks of Vision Products (Europe) Ltd. In the interests of continued product improvement and development we reserve the right to change specifications, design and dimensions without prior notice. Details correct at date of publication E&OE