

VISION® Datasheet

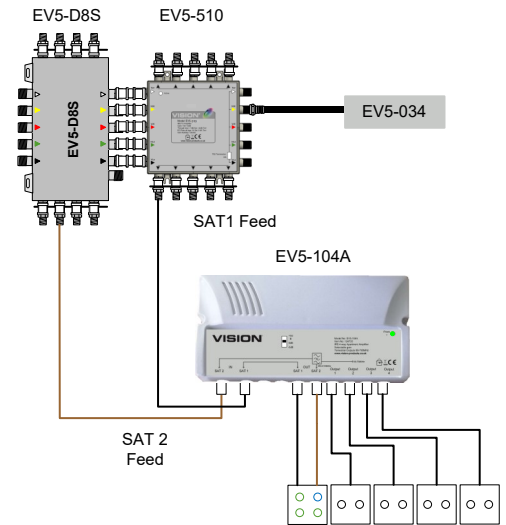
EV5-104A IRS TV Amplifier (124735)

The EV5-104A IRS Terrestrial amplifier is designed to be located in a distribution point within the apartment. By taking two feeds from the IRS system and connecting them directly to the distribution amplifier it enables the radio and terrestrial services to be filtered out and sent to four secondary rooms.

SAT1 input comes from the legacy switch and SAT 2 from the dSCR, SAT1 output then is connected to the SAT1 side of the Quad outlet plate and Sat 2 to SAT2.

SAT1 has all services which are triplexed out by the plate and SAT 2 only carries IF frequencies, the terrestrial frequencies have been filtered off as they and directed to the bedroom points.

- -5, 0, +5dBdB switched Gain
- Enables easy distribution and balance of signals
- Insertion Loss Sat <1dB, Terr <4dB
- Through Current 1 Amp per leg
- Fully screened housing to reject interference



| | |
|---|---|
| Model | EV5-104A (124735) |
| Frequency Range SAT | 950MHz – 2200MHz |
| TERR | 50 – 790MHz |
| Number of Inputs / Subscriber Outputs / Outputs | 5/10/5 |
| Terrestrial Gain | 10dB |
| Maximum Input IMD ⁻³⁵ | 87dBµV (81dBµV de-rated) |
| Insertion Loss SAT / Terr | <-1dB / <-4dB |
| SAT IF / SAT IF Input Isolation | >25dB |
| SAT IF / Terr Input Isolation | >25dB |
| SAT IF Output – SAT Output Isolation | >25dB |
| Terr / Terr- Output Isolation | >25dB |
| Return Loss All ports | >10dB |
| DC Consumption Terr TV amplifier via H lines | 12VDC 80mA with LED Indication |
| Impedance | 75Ω |
| Connectors | F-Type (f) Earth Bar F-Type (f) Quick F (m) |
| Max DC Pass into the trunk | 18V 1.0A per leg |
| Operating Temperature | -20°C to +50°C |
| Dimension inc connectors (mm) / Weight | 134 x 134x 30mm 472g |

©2020 Vision Products (Europe) Ltd. Vision and the vision eye device are registered trademarks of Vision Products (Europe) Ltd. In the interests of continued product improvement and development we reserve the right to change specifications, design and dimensions without prior notice. Details correct at date of publication E&OE